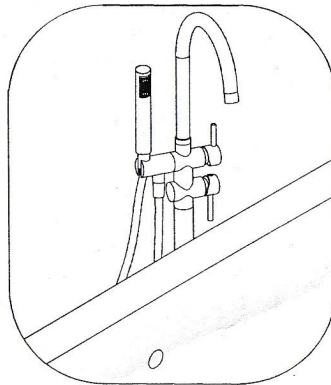
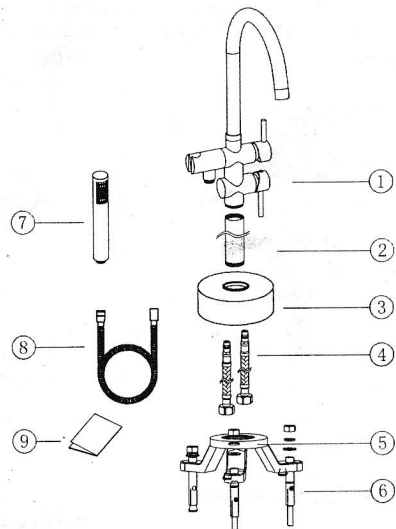


Freestanding Bathtub Faucet Manual

1. Please check everything component by the list below after you open the package, make sure nothing missing, if any, please contact with the dealer where you buy from.

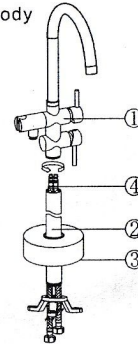


NO.	Part	PCS
1	Main Body	1
2	Straight Tube	1
3	Decorative Cover	1
4	Inlet Tube	2
5	Bolts Holder	1
6	Expansion Bolts	3
7	Shower Head	1
8	Shower Tube	1
9	Manual	1

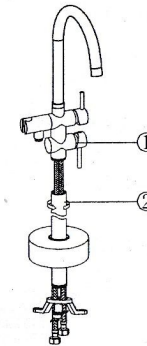


2. Using the faucet for a matching height bathtub.

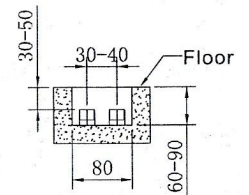
1. Connect the straight tube, decorative tube and bolts holder to inlet tube then screw the inlet tube to main body



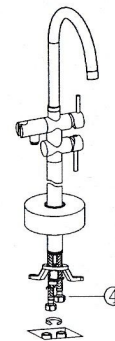
2. Connect the main body with straight tube by twisting it.



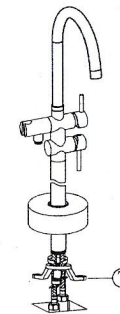
3. Prepare water inlet like the drawing below.



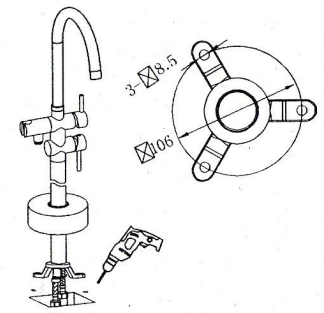
4. Connect the inlet tube like the drawing



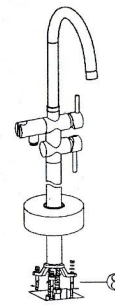
5. Twist the bolts holder to the faucet



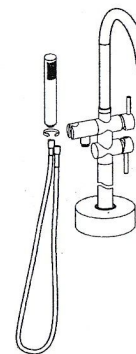
6. Drill holes on floor based on the drawing



7. Tighten the expansion bolts



8. Twist the shower tube to both faucet and shower head



9. Finished assembly

