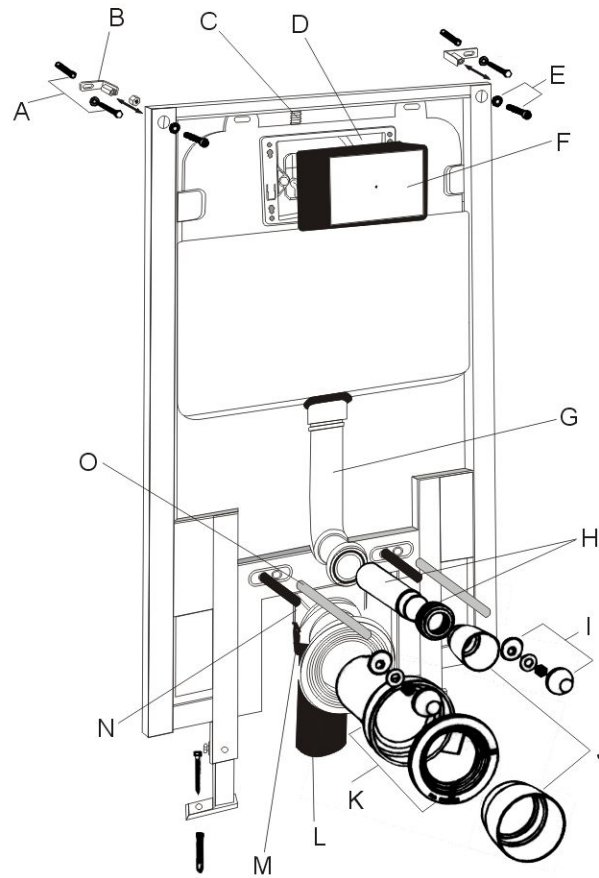


Frame-structure Concealed Cistern Installation Manual



Accessories List

NO.	DESCRIPTION	QTY	FUNCTION
A	Expansion	4	Mounting of frame and wall bracket
B	Wall baracket	2	
C	Angle walve	1	Fill valve inlet and shut-off
D	Cistem cover	1	Airproof tank and munting of locking bracket
E	Socket head screw	2	Mounting of frame and locking into wall bracket
F	Plastic holder	1	To reserve space for installation of actuator at wall building To prevent dust and impurities into tank an wall building
G	Connect pipe	1	Water inlet elbow of toilet
H	Connecting pipe	1	To joint cistern into ceramic bowl(cutting in accordance with wall thickness)
I	Ceramic bowl fixing accessoles	2	To mount ceramic bowl
J	Piping stopper	2	To reserve space for straight tube and connecting pipe
K	Connecting pipe	1	To joint cistern into ceramic bowl(cutting in accordance with wall thickness)
L	Discharge pipe	1	To discharge liquid and solid waste from ceramic bowl
M	Mounthing bracket	1	To mount draining syphon
N	Discharge pipe holer	1	To mount draining syphon
O	Protective cover	2	To protect connecting screw at wall building

Important Instruction:

1. Please adhere to the following installation instructions. We shall not be responsible for failures and loss that are contributed to improper installation.
2. Please confirm the fixation location of cistern prior to installation and obtain the finished floor surface. Draw FEL on installation wall and follow it as baseline from ZERO(0) level.
3. The instructions have been composed based in the latest product specifications. We reserve the right to make modifications to the packaging and specifications without providing prior notification.

NOTES:

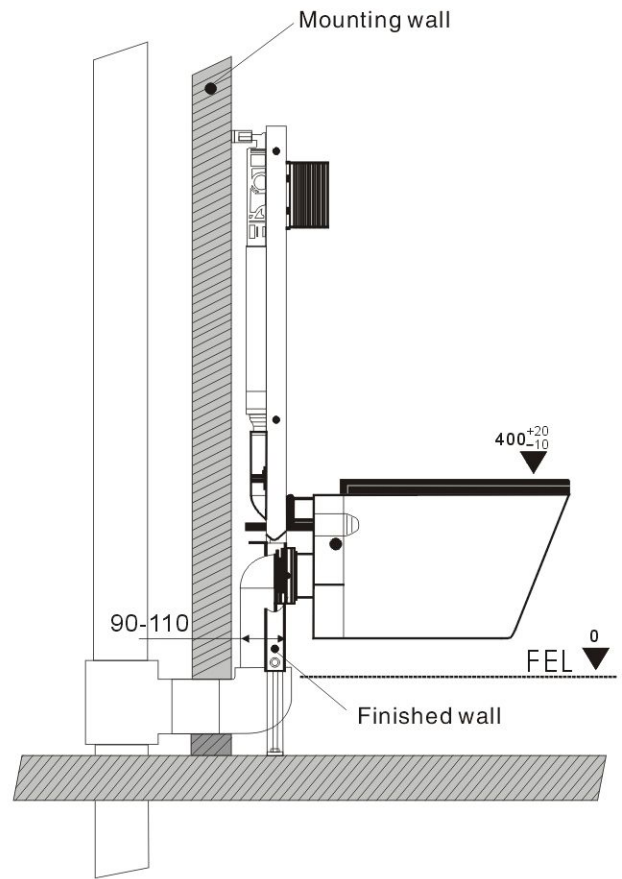
1. Mount before bricks building.
2. All size unit MM.
3. Follow the material product, should there is an un conformity with drawing.



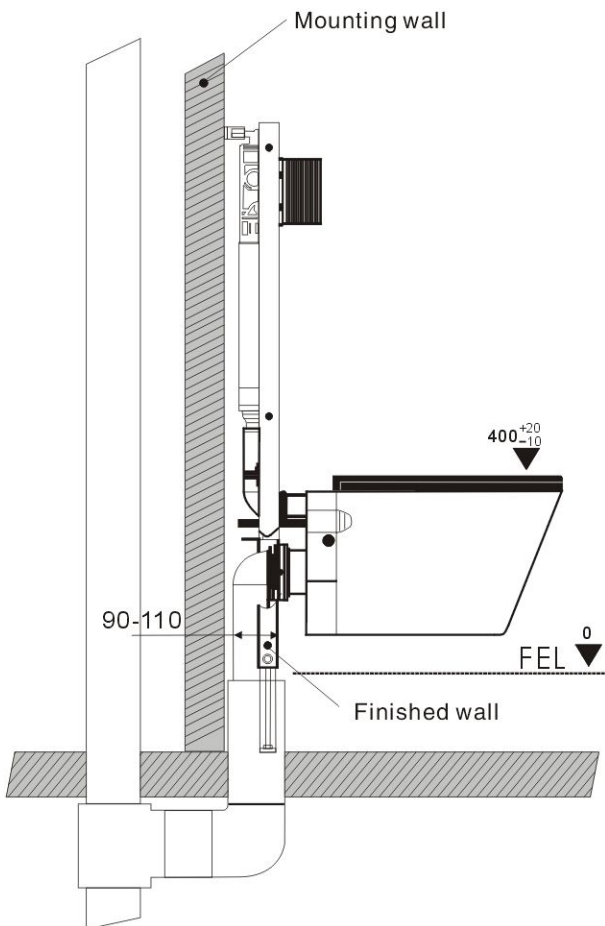
1. Drainage System Layout

Drawing 1 to 3 are three different installation systems for drain pipe. Customer should confirm whichever installation system according to drainage outlet position. If drainage outlet does not fall within the three drainage system layout to correspond installation of our concealed cistern.

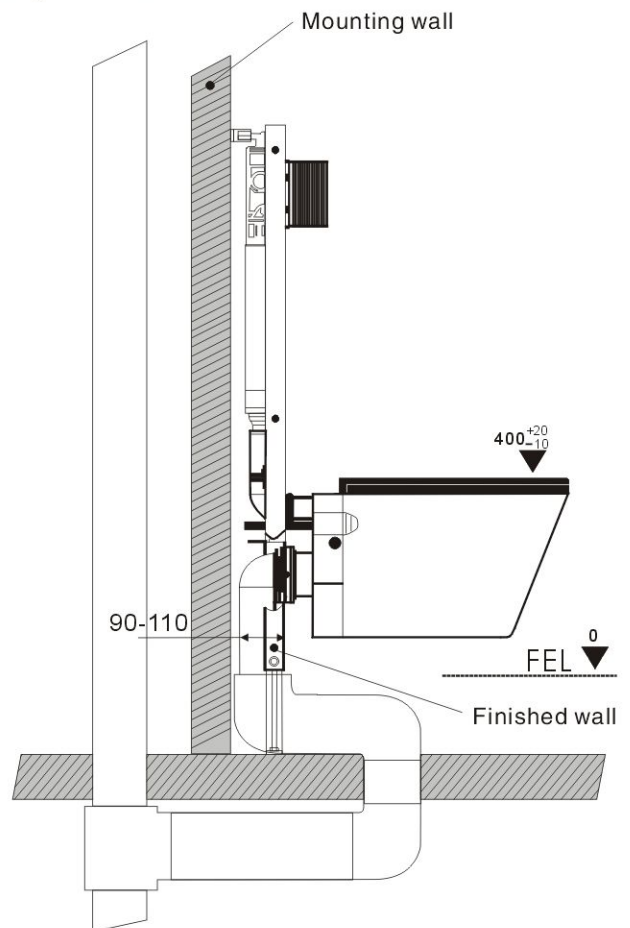
Option 1



Option 2



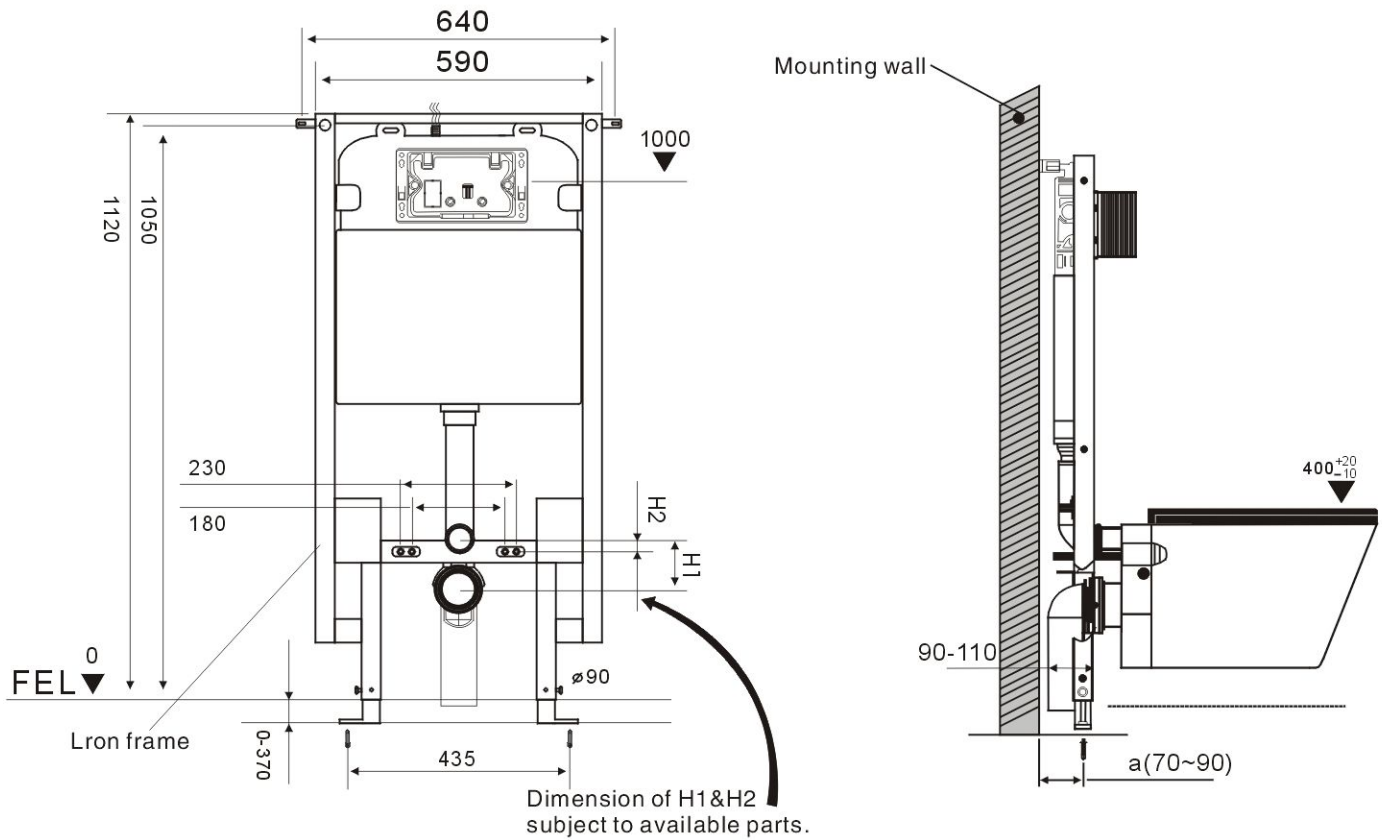
Option 3



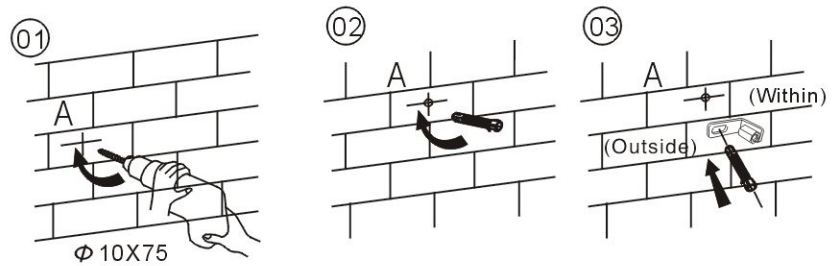
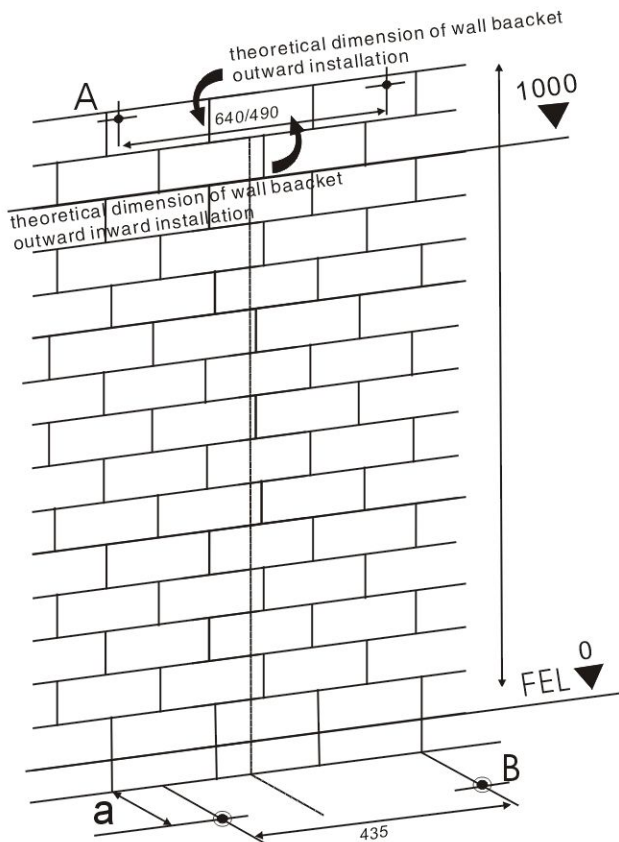
2. General dimension and water supply drawing

Water supply from back.

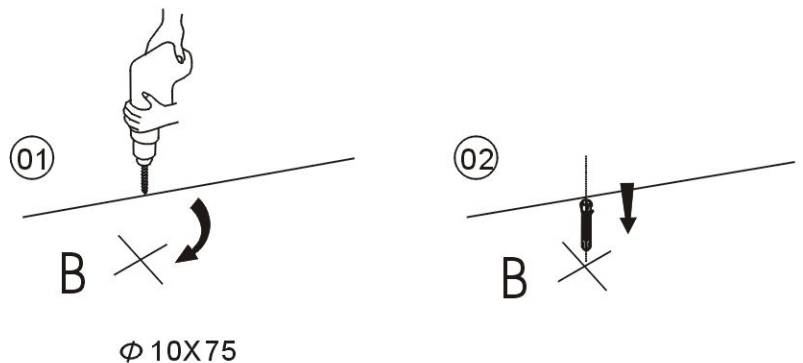
(Water supply should be connected to angle valve inside cistern)



3. Drill holes on mounting wall and floor and install expansion screws



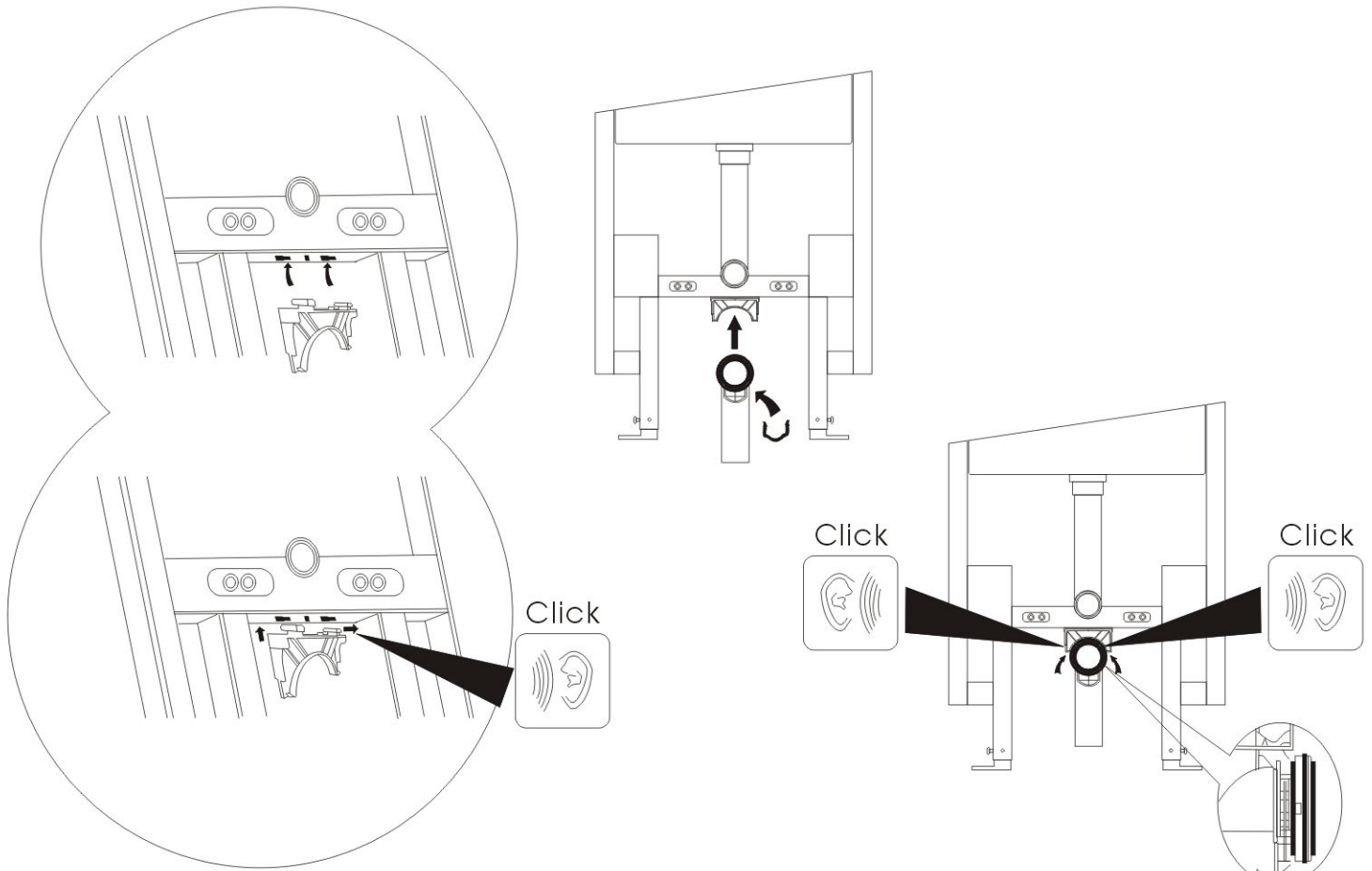
Drill a hole of $\phi 10 \times 75$ → insert expansion serew → Fix the wall bracket into wall



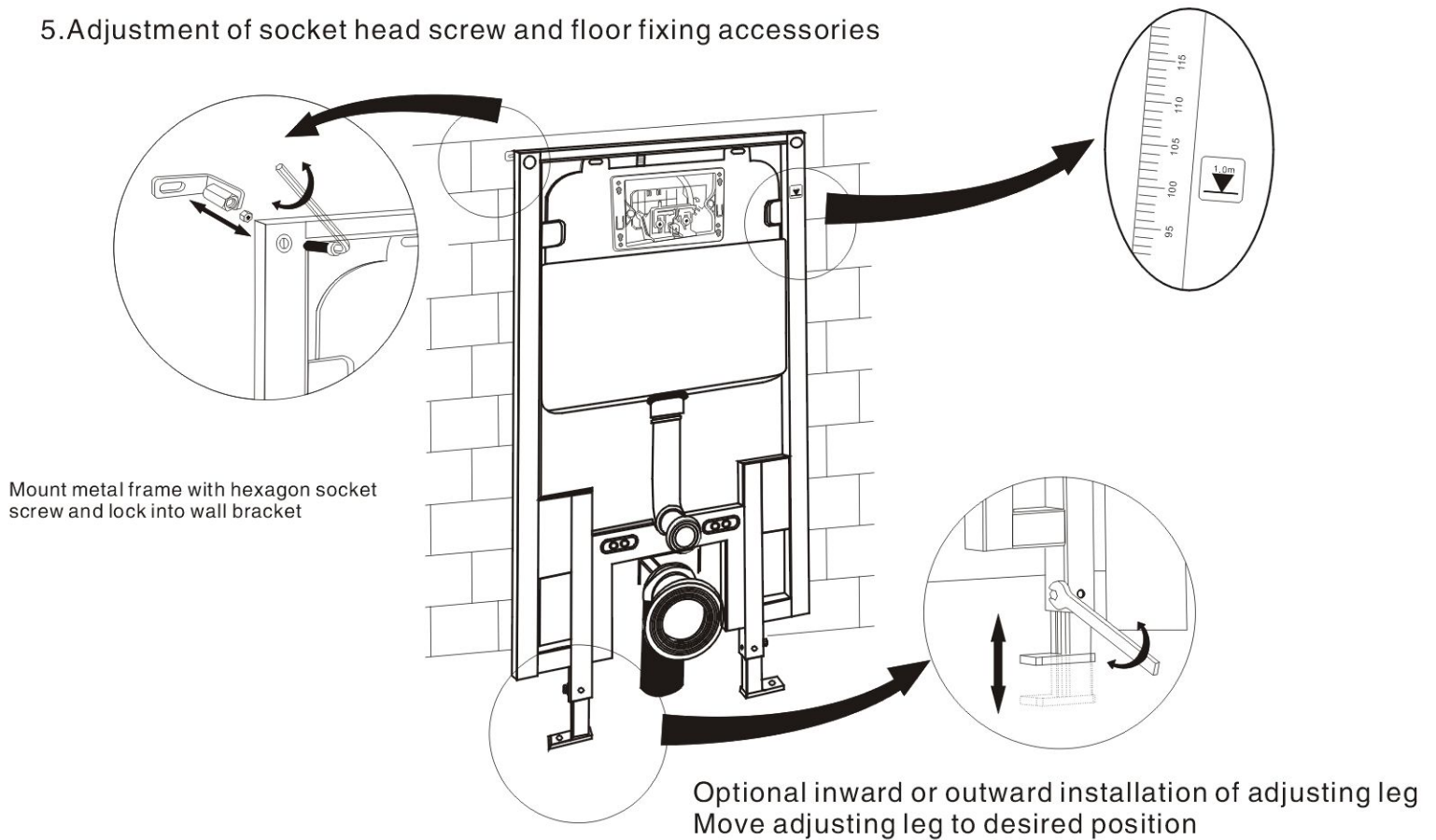
Drill a hole of $\phi 10 \times 75$ → insert expansion serew

A dimension according to practical location of flushing pipe
 ★Note: Above drilling are theoretical dimensions of frame mounting.
 Please follow by the practical location of frame.

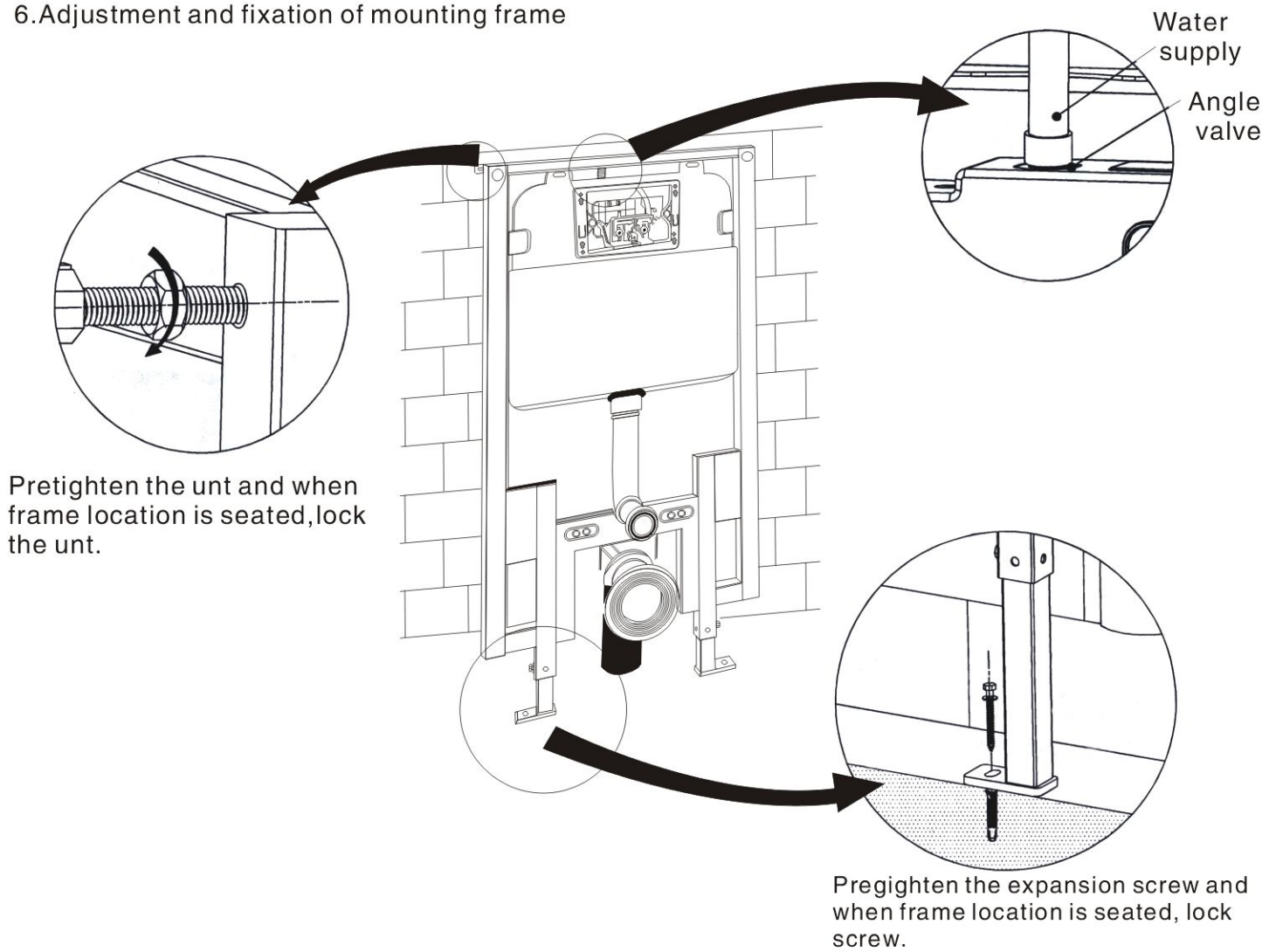
4. Installation of draining syphon



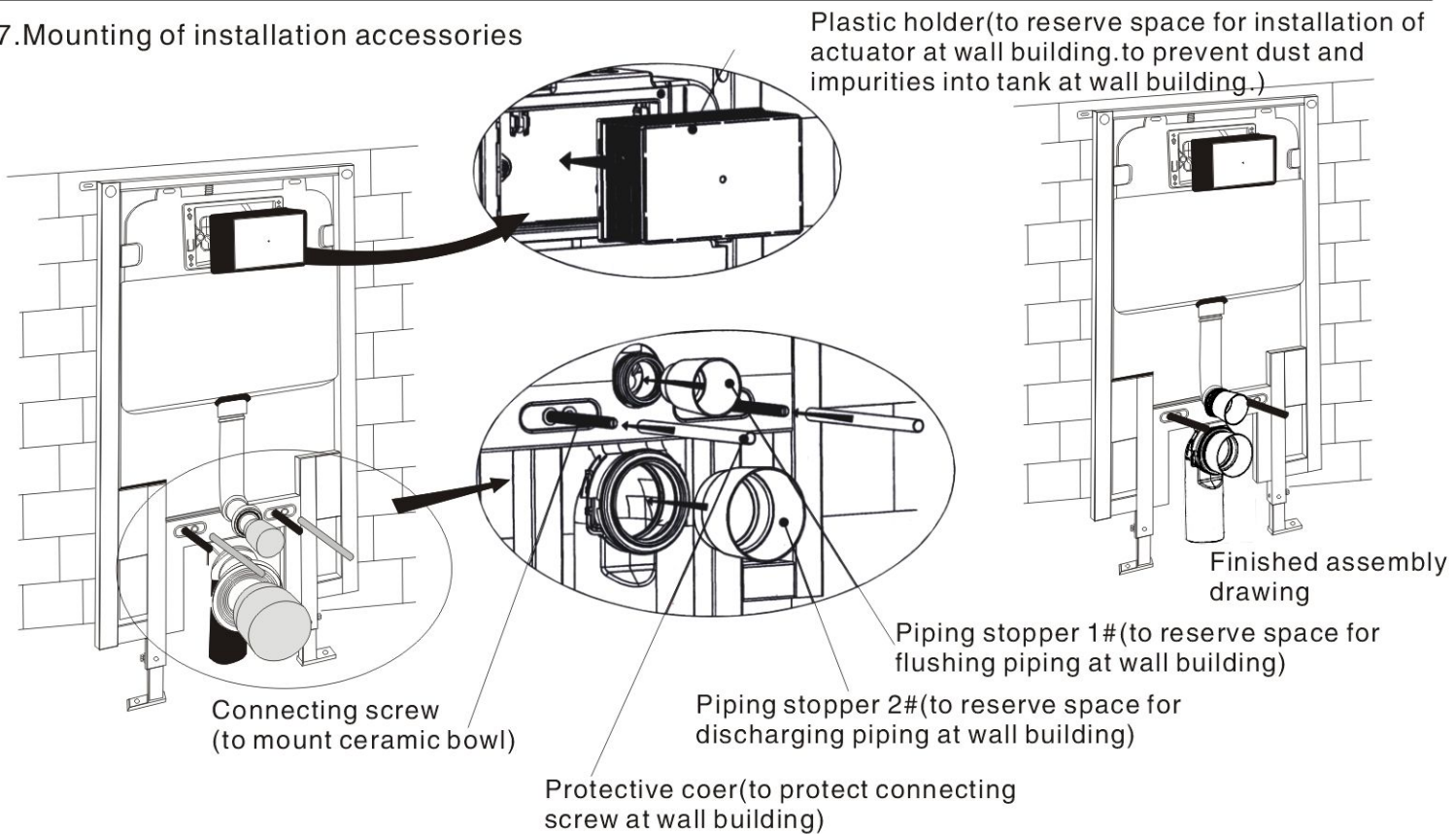
5. Adjustment of socket head screw and floor fixing accessories



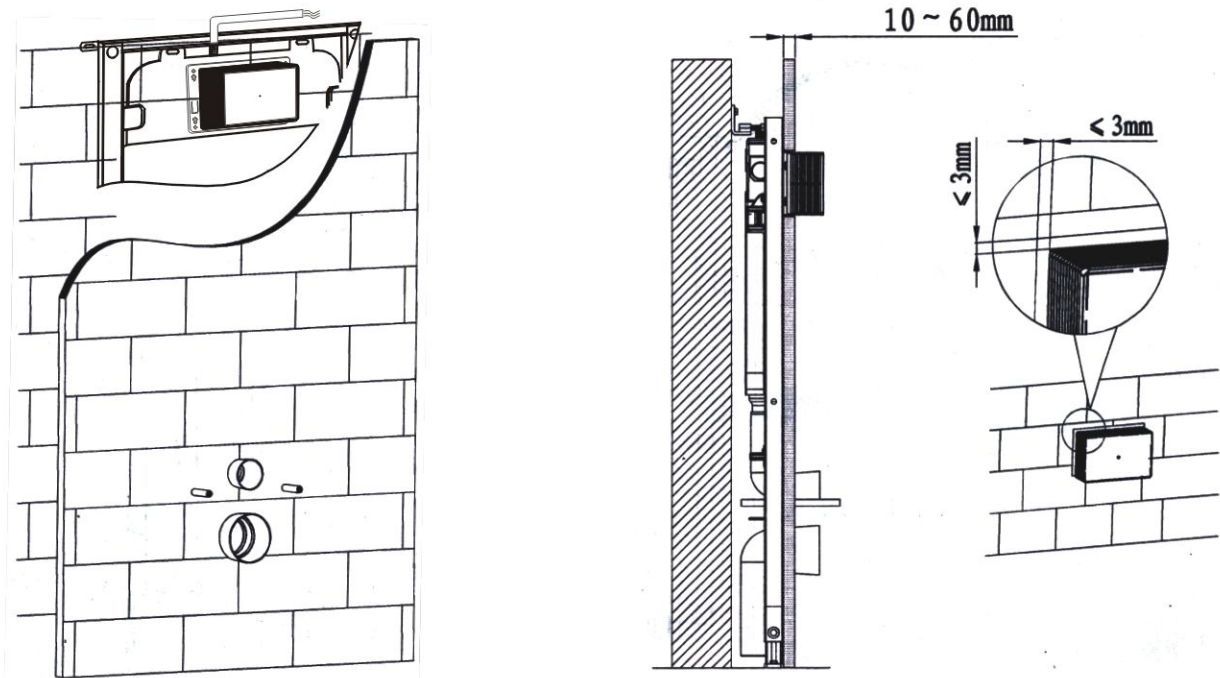
6. Adjustment and fixation of mounting frame



7. Mounting of installation accessories

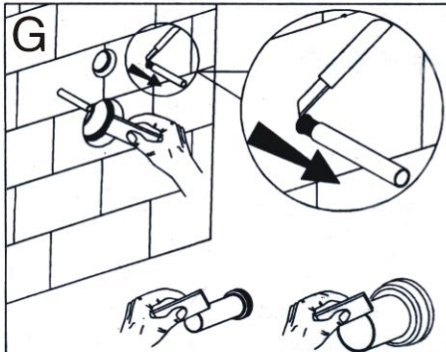


8. Wall thickness range 10–60mm (from frame outside surface to finished wall)

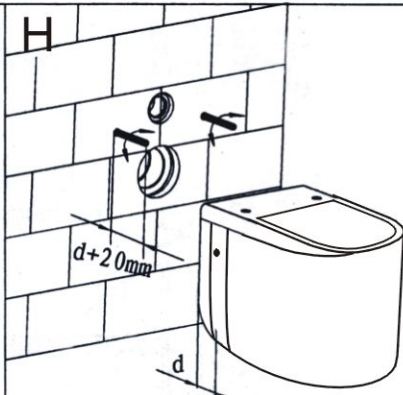


9. Mounting of ceramic bowl

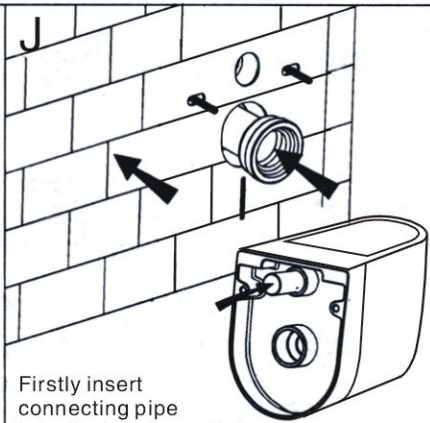
<p>A</p> <p>Fully insert the straight tube into cistern flushing outlet and connecting pipe into discharging outlet</p>	<p>B</p> <p>Draw the lines as above picture</p>	<p>C</p> <p>Apply lubricant on rubber washers of straight tube and connecting pipe, then insert into ceramic holes</p>
<p>D</p> <p>Draw the lines as above picture</p>	<p>E</p> <p>As per drawing, L1 is distance between the two lines on straight tube. L2 is distance between the two lines on connecting pipe. Cut the straight tube and connecting pipe as per above drawing.</p>	<p>F</p> <p>Polishing the cutting surface to get chamfer angle as per drawing and deburring.</p>



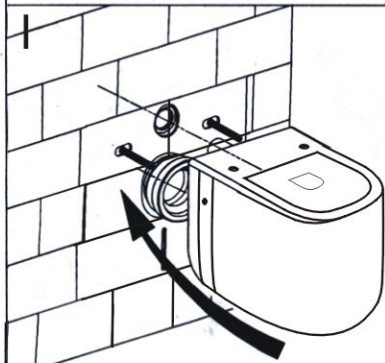
G
 Cut the protection sleeve outside of the wall with a knife.
 Apply lubricat on joint surface of straight tube and connecting pipe.



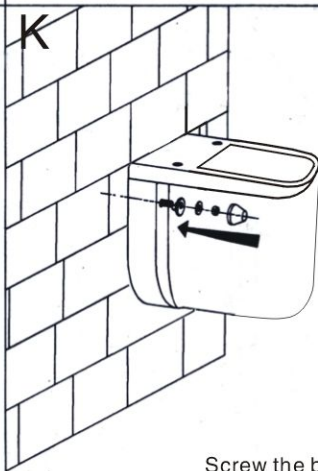
H
 Adjust length of connecting bolt to be $d+20\text{mm}$



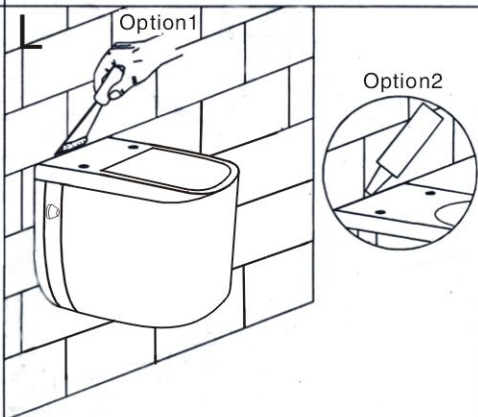
J
 Firstly insert connecting pipe into discharging outlet and straight tube into ceramic hole.



I
 Mounting the ceramic bowl

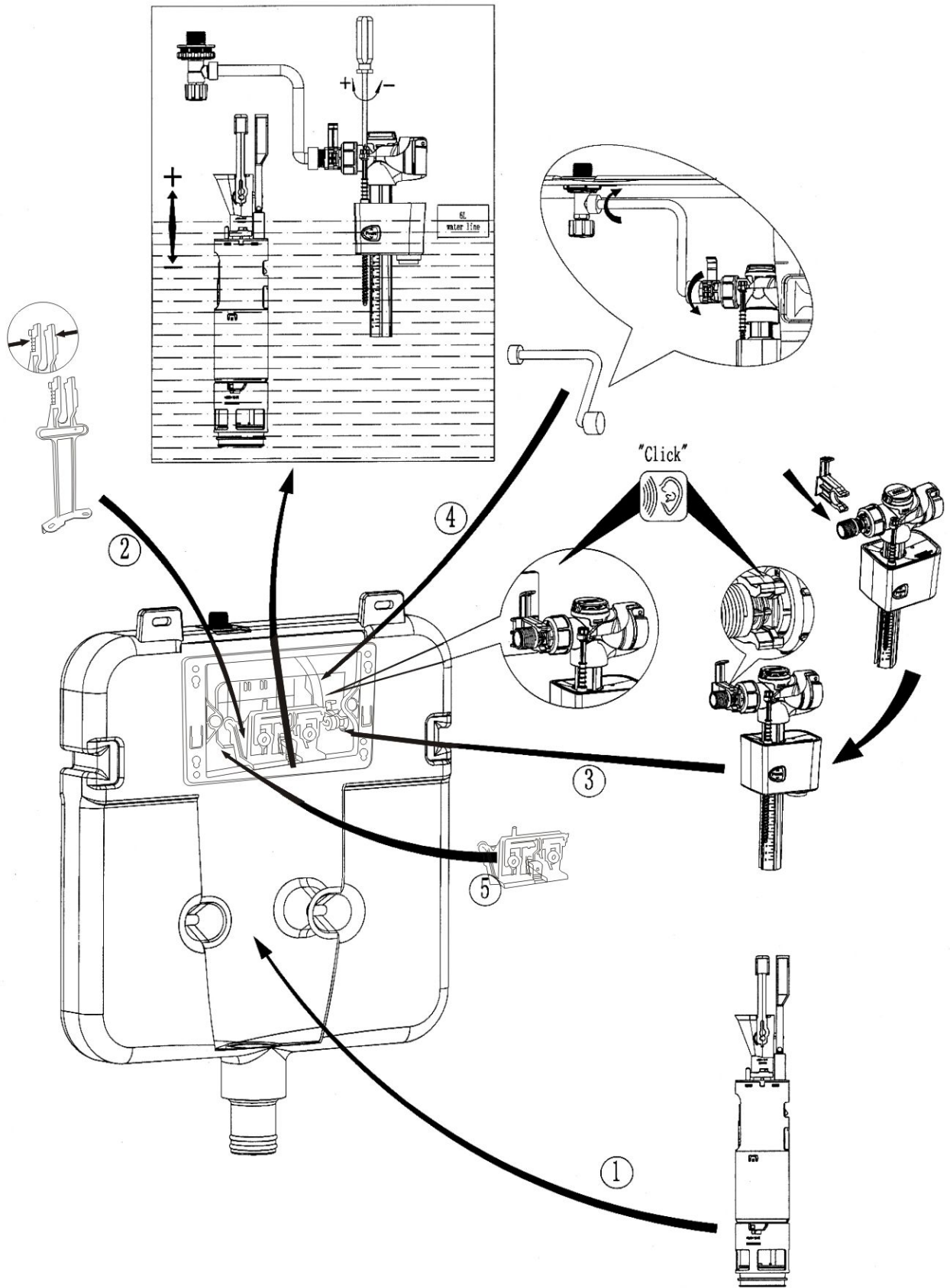


K
 Screw the bowl



L
 Apply cement or glue to fill and level up the gap to wall.

10. Internal flushing mechanism assembly drawing



The internal flushing mechanism are already well-assembled and above picture only for reference.